

THE PROPERTY OF THE DRAWING IS ESTABLISHED BY LAW  
IT IS FORBIDDEN TO PRODUCE OR SHOW IT TO THIRD PART  
WITHOUT A WRITTEN AGREEMENT.

MODIFICAZIONI

VARIED. DIMENSIONI / DATA:

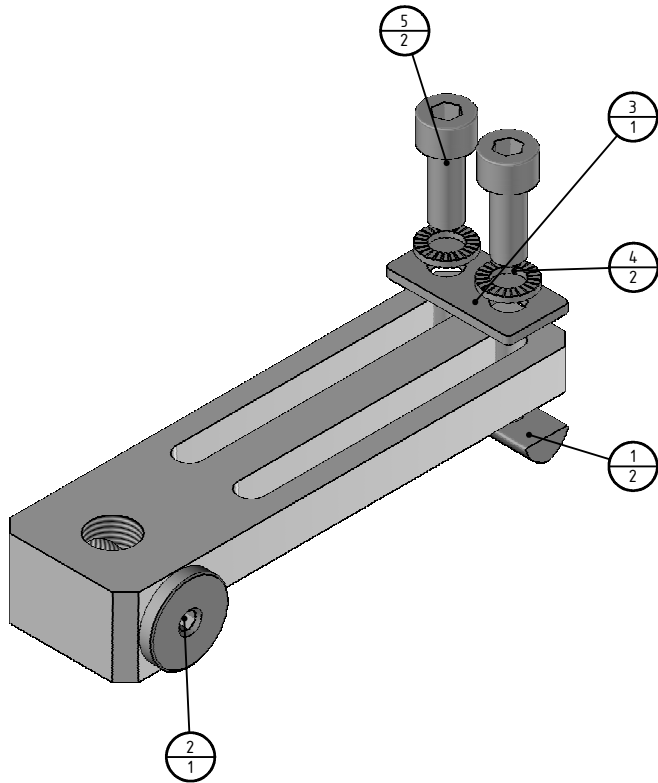
7	8	9	10	11	12
---	---	---	----	----	----

MODIFICAZIONI

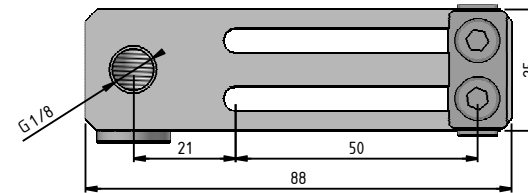
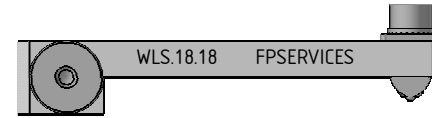
VARIED. DIMENSIONI / DATA:

1	2	3	4	5	6
---	---	---	---	---	---

Format A4  
UNI 936-76



Obgect Number	Name	QTY
1	CA.02.05.003	2
2	CA.WLS.18.18	1
3	R.05.12	1
4	R.5.SCH	2
5	V-fcei M 5 x 14	2



		DESIGNED FROM	
		FPSERVICES	
GENERAL TOLERANCE UNI - ISO 2768 CLASSE f		DATE	WEIGHT
		17/05/2016	0,059kg
DESCRIPTION CA.WLS.18.18.5		CODE	
		CA.WLS.18.18.5	